

Vehicle Locating & Marine Small GPS Antenna

MODEL: GA-68L

Small size and ruggedness, demand of vehicle locating and car navigation GPS antenna that will sustain harsh environment.



- Low noise figure
- Fully weather proof.
- Ultra-high Sensitivity
- Compact construction
- Excellent temperature stability

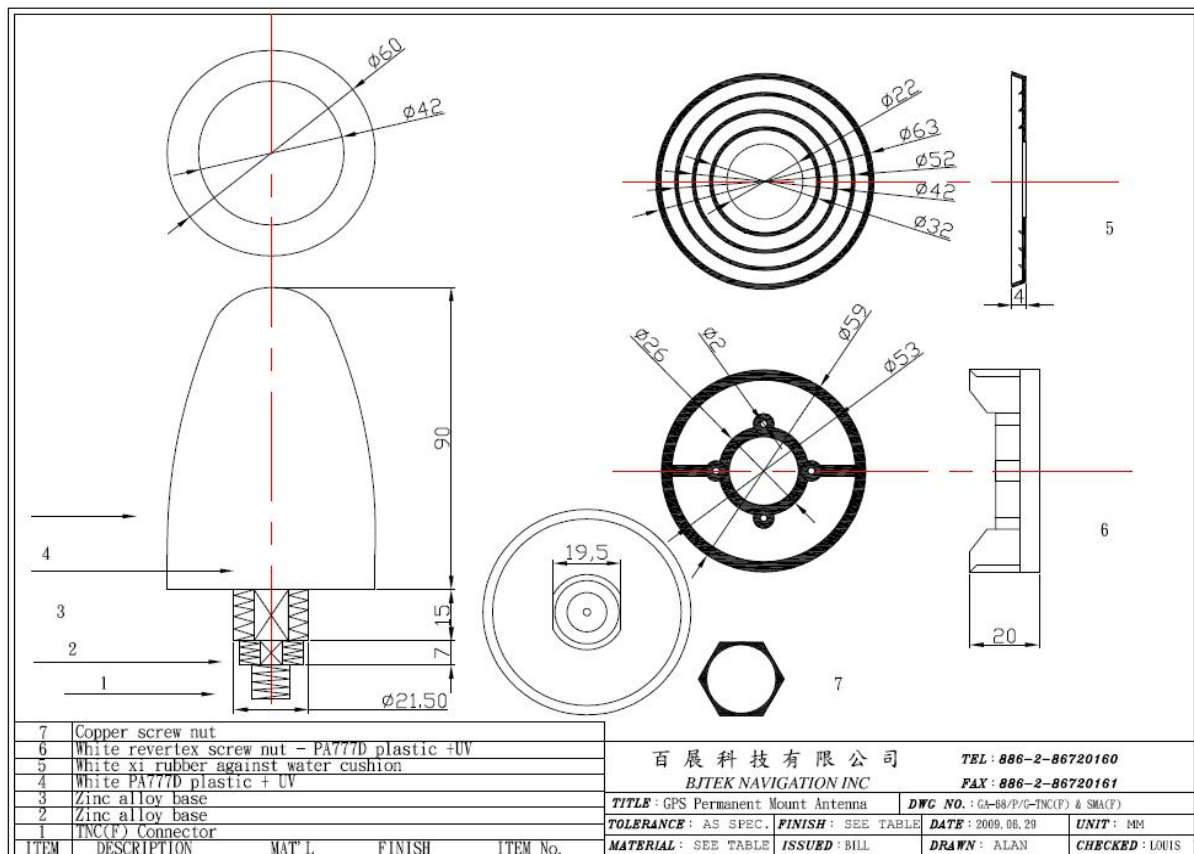
Specifications:

| PHYSICAL CONDITION | |
|-------------------------|---|
| Constructions: | Polycarbonate radome, detachable cable/connector for easy mount, rubber-O-ring between top radome and screw base for waterproof |
| Dimensions: | 60mm(Dia.) x 90mm(H) |
| Weight: | 65grams (w/o cable & connector). |
| Color: | White or Black (Optional) |
| Mounting: | FB6 SUS L-MOUNTING |
| Cable & Connector | |
| RF cable: | SMA(M)-10M RG58 -TNC(M) or Optional |
| Pulling strength: | 6 Kg @ 5sec. molded plastic on connector end for strain relief. |
| Connector available: | TNC(F) or SMA(F) |
| Antenna Element | |
| Center Frequency: | 1575.42 MHz +/-1.023 MHz |
| Polarization: | R.H.C.P. (Right Handed Circular Polarization). |
| Absolute Gain @ Zenith: | +5 dBi typical. |
| Gain @ 10° Elevation: | -1 dBi typical. |
| Axial Ratio: | 3 dB max. |
| Output VSWR: | 2.0 |
| Output Impedance: | 50 ohm |
| Low Noise Amplifier | |
| Center Frequency: | 1575.42 +/- 1.023 MHz |
| Power Gain: | 28 db +/-3db |
| Bandwidth: | 10 MHz min. @S11≤-10 dB |
| Noise Figure: | 1.5 typ |
| Outer Band Attenuation: | 3 dB max. |
| Supply Voltages: | 2.5~5.5V DC. |

| | |
|---|---|
| Current Consumption: | at 2.5V 6.6mA Typ. at 3.0V 8.6mA Typ. at 4.0V 12.6mA Typ. at 5.0V 16.6mA Typ. |
| Filter | 20dB 25dB @ fo+/- 50MHz 30dB 35dB @ fo+/- 100MHz * fo=1575.42MHz |
| Overall Performance: (antenna element, LNA & coax cable) | |
| Center Frequency: | 1575.42 +/- 1.023 MHz |
| Gain: | At 90° vertical to sky 30 ± 4.5dBi (cable loss) Note:1 Mounted on the 60mm x 60mm square ground plane |
| Noise Figure: | 1.5 max. |
| Axial Ratio: | 3 dB max. |
| Bandwidth: | 10 MHz min. @S11≤-10 dB |
| VSWR: | 2.0 max. |
| Output Impedance: | 50 ohm |
| Environmental | |
| Operating Temperature: | -40°C~ +100°C. |
| Storage Temperature: | -40°C~ +100°C. |
| Relative Humidity: | 95% non-condensing. |
| Water Resistance: | 100% waterproof. |

* This specification is subject to change without prior notice

Data Updated: JUL.04, 2013



SUS L-Mounting

Model : FB-6



Size :

